



MERIDIAN
RAPID DEFENSE GROUP



Archer 1200 Mobile Barrier



Mobile vehicle barrier for Hostile Vehicle Mitigation (HVM)

Engineered for high-security environments, this "Drop and Stop" anti-ram portable vehicle barrier protects people and critical infrastructure by stopping unauthorized vehicle access. Ideal for entry points, roadways, construction sites, and public events, it is easy to deploy in under 10 minutes.

- [SAFETY Act certified](#) and MASH TL-3 rated
- Reusable after impact
- No digging, power, or permanent installation required
- Proven protection at SEAR-rated and public space events
- 100% American-made with American steel
- No maintenance required, 25-year lifetime warranty
- [Download spec sheet](#)

Archer 1200 Barrier

The world's most crash-tested mobile vehicle barrier



Simple deployment

- ✓ Modular barrier
- ✓ Expandable footprint
- ✓ Compatible with all Meridian products

Built to last

- ✓ Reusable after impact
- ✓ Leader in crash test certifications
- ✓ Over 20 certified configurations

Proven performance

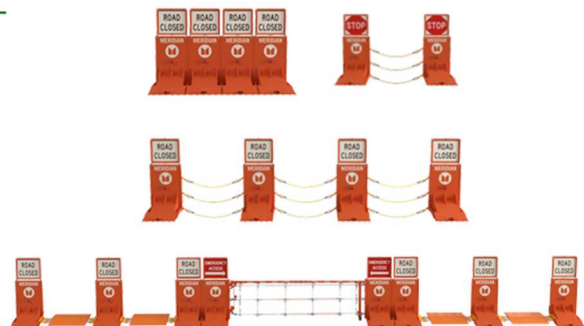
- ✓ Rapid, one person deployment
- ✓ No hydraulics, electricity, or power needed
- ✓ 25-year lifetime warranty
- ✓ No maintenance required

Modular configurations

From single barriers to complete perimeter systems. Configure for any perimeter requirements.



Scan to see it in action



Archer Drop Deck Trailer

8 barrier deployment, 1 person, minutes to load



Streamlines transport and deployment of Archer 1200 barriers. Drop deck design for one-person loading and unloading without special equipment.

- Transports up to eight Archer 1200 barriers
- Drop deck design for streamlined deployment
- Equipped with 16-ply tires
- Includes Archer Hauler mount
- No maintenance required
- 100% American made with American steel
- [Download spec sheet](#)



Archer Trailer 1000



100% AMERICAN MADE



Features

- ✓ Drop deck design
- ✓ Tire load rating – 5,675 lbs
- ✓ Tires – 16 ply H rated
- ✓ Deck plate – 3/16" diamond plate
- ✓ Archer Hauler mount
- ✓ ADA cable cover holders
- ✓ Archer Beam Gate beam cradles

Benefits

- ✓ Designed to carry up to 8 Archer 1200 barriers plus accessories
- ✓ Solar panel charging capability
- ✓ Quadra spring suspension for a smooth, stable ride



The drop deck design brings the entire deck level to the ground

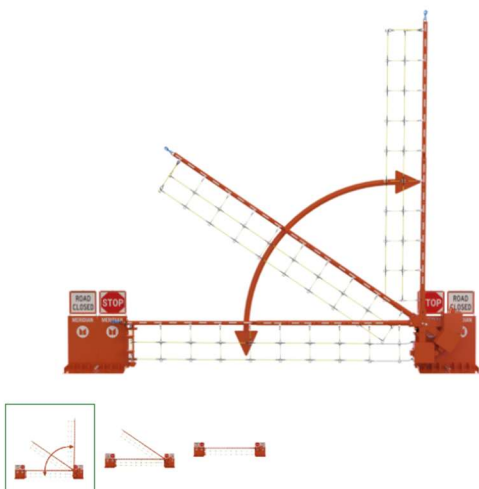


Archer Beam Gate

16–20 ft vehicle access control for secure environments

Deploys in minutes by one person to create a movable vehicle access point with no power, hydraulics, or anchoring. This portable barrier is ideal for checkpoints, events, road closures, and any environment where flexible vehicle control is required. Designed for standalone use or to integrate with [Archer 1200 barriers](#) to extend linear coverage or support serpentine configurations.

- ASTM F2656-07 M30 P3 crash certified
- Reusable and fully redeployable after impact
- SAFETY Act Certified
- Manual operation, no electricity or batteries
- No maintenance required, 25-year lifetime warranty
- 100% American-made with American steel
- [Download spec sheet](#)

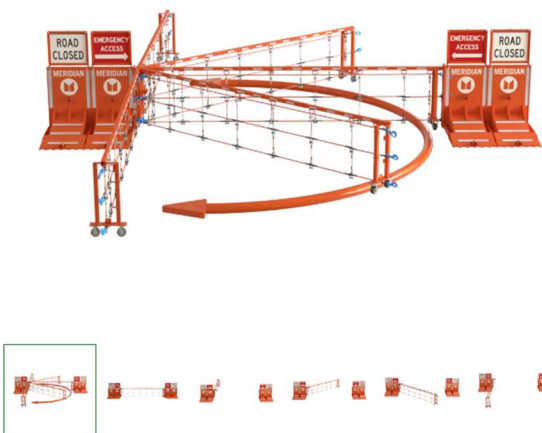


Archer Rapid Gate

10–14 ft vehicle access for emergency response and work zones

Deploys in minutes by one person to create a portable access point for emergency vehicles or authorized traffic. No power, hydraulics, or anchoring required. Features 180° horizontal rotation for flexible lane access and integrates with [Archer 1200 barriers](#) for extended perimeter control.

- ASTM crash certified (P2 and P3 rating)
- Painted in high-visibility Traffic Orange with HIP reflective decals
- MUTCD-compliant signage
- SAFETY Act Certified
- Manual operation, no electricity or batteries
- No maintenance required, 25-year lifetime warranty
- 100% American-made with American steel
- [Download spec sheet](#)



Archer Hauler

Simplifying barrier handling across deployments



100% AMERICAN MADE

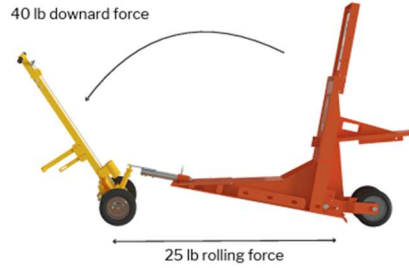
Features

- ✓ 40 lb downward force to lift barrier onto the hauler
- ✓ 25 lb rolling force to move and place barrier
- ✓ 3,000 lb capacity
- ✓ Adjustable brakes
- ✓ Durable powder coating
- ✓ Solid core tire

Storage on Archer 1200 barriers



Lift 700 lbs of steel with ease



Archer Arrestor Cable

Stronger perimeter control with flexible pedestrian access

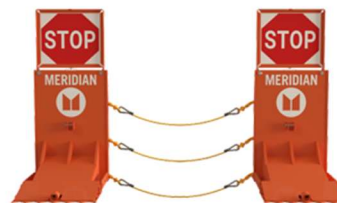


The Archer Arrestor Cable increases the stopping power of the Archer 1200 barrier.

100% AMERICAN MADE



- ✓ Enhanced perimeter security with pedestrian access
- ✓ Easily attached and detached with self-locking clips



- ✓ Allows for pedestrian traffic control
- ✓ Easily limit access to secure areas
- ✓ High visibility vinyl coating

ADA 3-Channel Cable Protector

Cable management for accessible pedestrian walkways



100% AMERICAN MADE



- ✓ Ideal for pedestrian traffic control
- ✓ Easily allows strollers and wheelchairs
- ✓ High visibility color
- ✓ Easy to use interconnects
- ✓ Lightweight design









