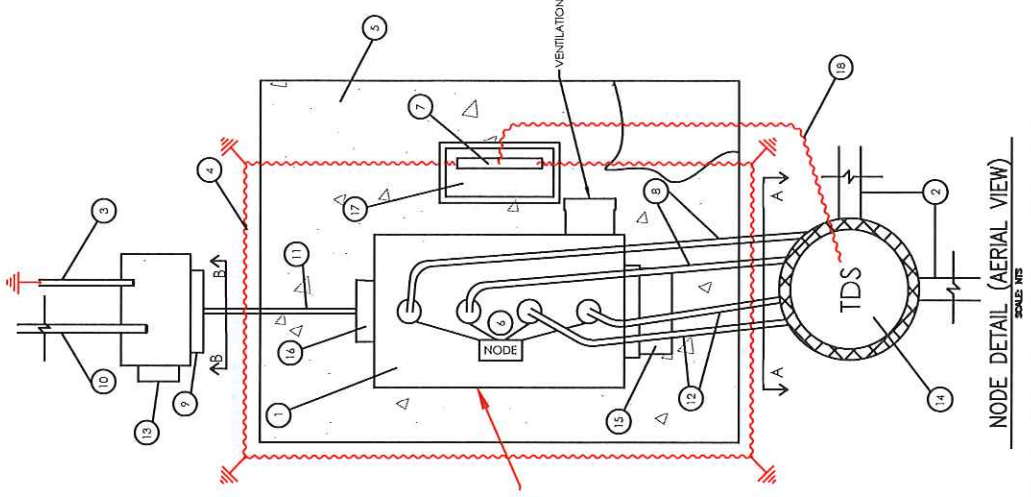


DIGGERS HOTLINE
Diggers Hotline, Inc.
 811 or 1-800-242-8511

- LEGEND:**
- 1) AM56P-6036-60RU-VIK - NODE CABINET
 - 2) PLANNED TRANSPORT FIBER IN CONDUIT
 - 3) 2" SERVICING ENTRANCE, GROUNDED BY ELECTRICIAN
 - 4) #2 COPPER-TINNED GROUND WIRE 30" DEEP WITH FOUR CLAD GROUNDING RODS
 - 5) CONCRETE PAD - 72" x 88" x 6"
 - 6) 3" ENTRY TO NODE
 - 7) 1/2" X 10' ELECTRIC MOTION GROUND BAR
 - 8) 2(3") DUCT WITH FIBER STUB TAIL FROM NODE (W/SWEEPS)
 - 9) BA22 - STUB POLE FOR POWER PED
 - 10) 1/2" DUCT FOR POWER CABLE
 - 11) 1/2" DUCT FOR POWER CABLE TO NODE ENTRY
 - 12) 2(3") VACANT DUCTS (W/SWEEPS)
 - 13) POWER METER FOR POWER PED
 - 14) AXS 900R HH - 39.3"Ø x 39.3"D
 - 15) HEATER ATTACHMENT
 - 16) POWER ATTACHMENT
 - 17) STRONGWELL-QUAZITE HH - 17.5" x 10.5" x 12.75"
 - 18) COATED GROUND WIRE



SITE PLAN
 SCALE 1" = 20'



NODE DETAIL (AERIAL VIEW)
 SCALE: N/A

DATE	DESCRIPTION	INITIAL	AT
11/18/20	INITIAL SUBMISSION		

REVISIONS	DATE	DESCRIPTION	INITIAL	AT

MATERIAL DESCRIPTION	QTY	ACTUAL
1" X 6"		
2" PVC SCH-40 CONDUIT		
3" PVC SCH-40 CONDUIT		

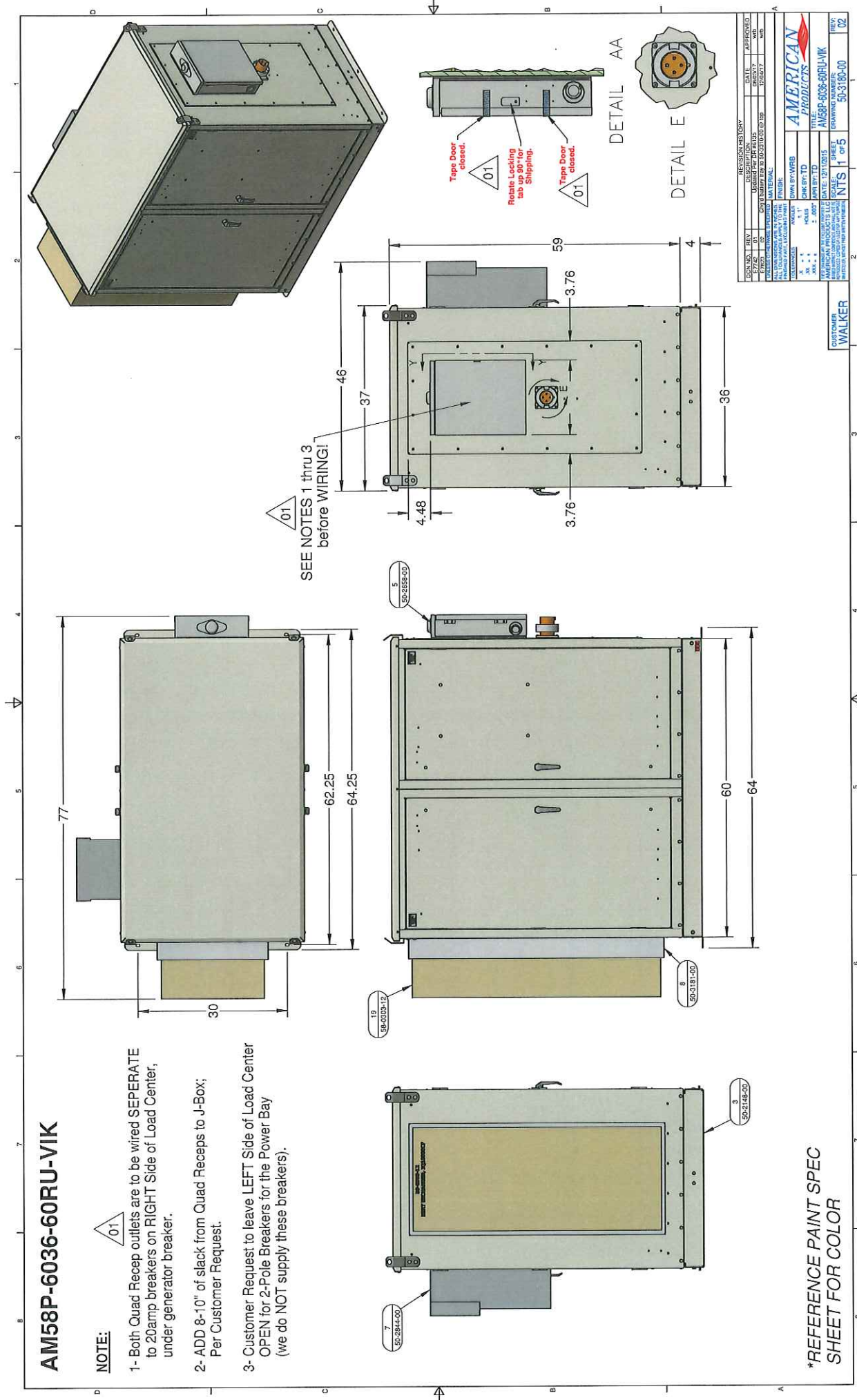


SCALE
 SIZE B SHEET: N/A
 SIZE D SHEET: N/A
 SHEET: C01 OF C02
 FILE NAME: TDS_APR17108_01_NODE

AM58P-6036-60RU-VIK

NOTE:

- 1- Both Quad Recept outlets are to be wired SEPERATE to 20amp breakers on RIGHT Side of Load Center, under generator breaker.
- 2- ADD 8-10" of slack from Quad Recepts to J-Box; Per Customer Request.
- 3- Customer Request to leave LEFT Side of Load Center OPEN for 2-Pole Breakers for the Power Bay (we do NOT supply these breakers).



*REFERENCE PAINT SPEC SHEET FOR COLOR

DOC NO.	REV	REVISION	DATE	APPROVED
E775	01	Updated for DTR1105	08/01/17	
DESIGNED BY		20-02-1005-02-03	DESIGNED BY	WJB
CHECKED BY			CHECKED BY	
DRAWN BY		WJB	DRAWN BY	WJB
MATERIAL		AMERICAN PRODUCTS	MATERIAL	
SCALE		AS SHOWN	SCALE	
SHEET NUMBER		1 OF 5	SHEET NUMBER	02
DRAWING NUMBER		AM58P-6036-60RU-VIK	DRAWING NUMBER	
CUSTOMER		WALKER	CUSTOMER	