

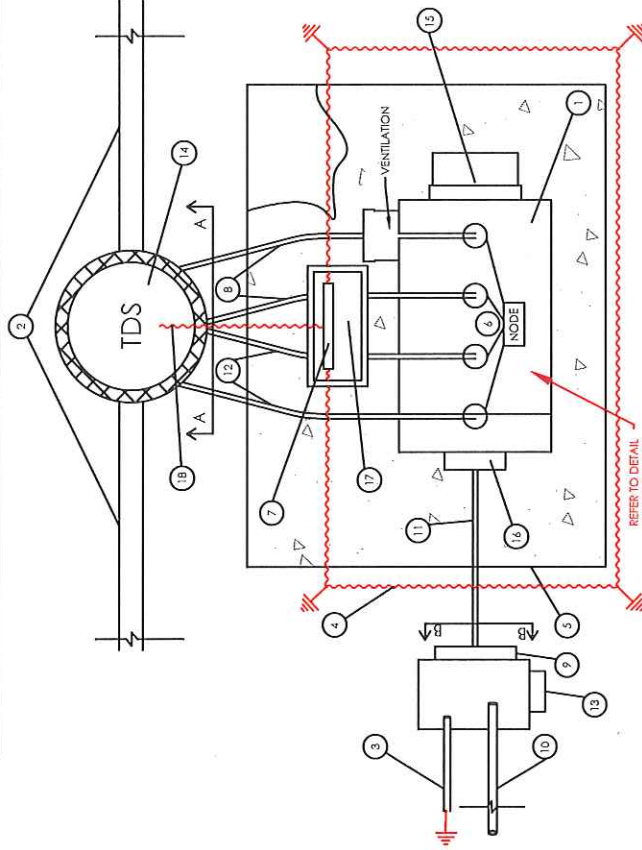


Diggers Hotline, Inc.
811 or 1-800-242-8511



LEGEND:

- 1) AM58P-6036-60RU-VIK - NODE CABINET
- 2) PLANNED TRANSPORT FIBER IN CONDUIT
- 3) 2" SERVICING ENTRANCE, GROUNDED BY ELECTRICIAN
- 4) #2 COPPER-TINNED GROUND WIRE 30" DEEP WITH FOUR CLAD GROUNDING RODS
- 5) CONCRETE PAD - 72" x 88" x 6"
- 6) 3" ENTRY TO NODE
- 7) 1(2 X10) ELECTRIC MOTION GROUND BAR
- 8) 2(3") DUCT WITH FIBER STUB TAIL FROM NODE (W/SWEEPS)
- 9) BA22 - STUB POLE FOR POWER PED
- 10) 1(2") DUCT FOR POWER CABLE TO NODE ENTRY
- 11) 1(2") DUCT FOR POWER CABLE TO NODE ENTRY
- 12) 2(3") VACANT DUCTS (W/SWEEPS)
- 13) POWER METER FOR POWER PED
- 14) AXS 900R HH - 39.3"Ø x 39.3"D
- 15) HEATER ATTACHMENT
- 16) POWER ATTACHMENT
- 17) STRONGWELL-QUAZITE HH - 17.5" x 10.5" x 12.75"
- 18) COATED GROUND WIRE



NODE DETAIL (AERIAL VIEW)
SCALE: N/A

APR105_0872JE_0872105		APR105_0872JE_0872105	
APPLETON, WI		APPLETON, WI	
MATERIAL DESCRIPTION	QTY	ACTUAL	
2" PVC SCH-40 CONDUIT		46'	
2" PVC SCH-40 CONDUIT		22'	

On a Mission
Intelligence Matters

T: (307) 591-9427 F: (307) 772-3427
info@tilson.com

REVISIONS		
DATE	DESCRIPTION	INITIAL
10/24/20	INITIAL SUBMISSION	AT

SCALE

SIZE B SHEET: N/A

SIZE D SHEET: N/A

SHEET: C01 OF C02

FILE NAME: TDS_APR105_05_NODE