



"...meeting community needs...enhancing quality of life."

---

**DEPARTMENT OF PUBLIC WORKS**

**Engineering Division**  
100 North Appleton Street  
Appleton, WI 54911  
(920) 832-6474  
FAX (920) 832-6489

**CITY OF APPLETON  
SANITARY LATERAL REPAIR POLICY**

Complaints concerning sanitary sewer back-ups should be directed to the Street Division at (920) 832-5580.

The sewer crew will then investigate and report the nature of the problem to the Foreman. If the sewer main requires no service, the Foreman will notify the property owner to inspect/clean the lateral and/or interior plumbing.

When physical repair is required on the sewer main that is beyond normal maintenance, the Street Division will request the Engineering Division to assist in the coordination of repairs through a contractor. *Normal maintenance includes debris and root removal.*

If excavation is required, televising of the lateral shall be arranged by the property owner to determine the exact nature and location of the defect prior to initiating any excavation. City engineering staff shall review the televising report to determine who is responsible for the repair (see page 2 of this policy for guidelines).

If at any time the problem is determined to be the responsibility of the City, the City reserves the right to hire the contractor of their choice to complete the repairs at the City's cost. If a private contractor has already been retained by the property owner, the contractor may continue the repair after providing the Plumbing Inspector acceptable price quotation(s) in writing which includes a maximum cost limit. Upon completion of the work, the City will make appropriate payments to the contractor(s) based upon the price quotation(s). If the Plumbing Inspector determines that unusual and/or difficult conditions exist for which the contractor is not equipped, the City Engineer shall make final determination of the contractor.

In the event that the Property owner is determined to be responsible for repairs, they must retain a licensed contractor to perform the work at their expense. A Sewer Permit and/or Street Excavation permit from the Department of Public Works will be required prior to the private contractor initiating the repairs.

Rev. 3/14

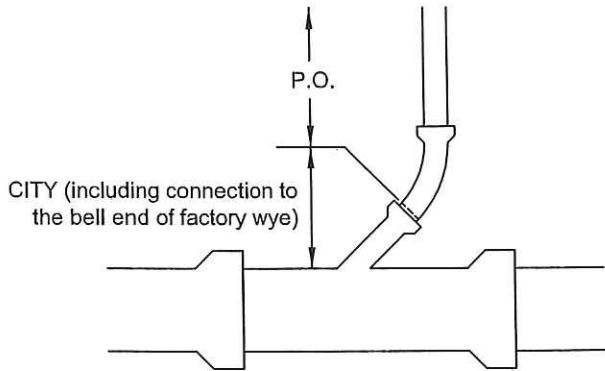
# City of Appleton

Rev. 1/17

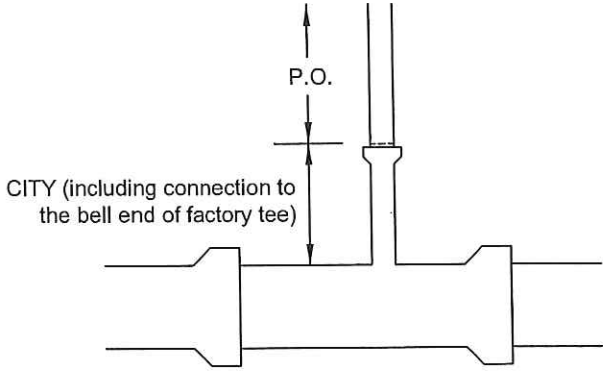
## Lateral Repair Policy

(Page 2 of 2)

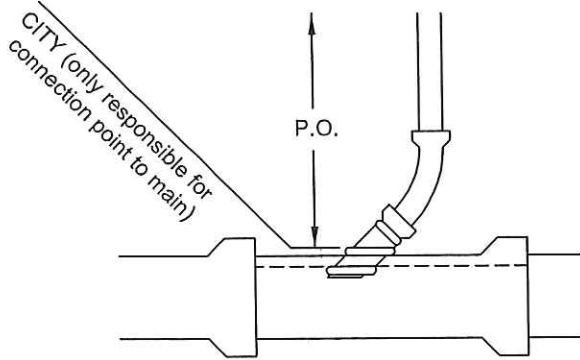
(Limits of responsibility in event of lateral problem requiring excavation and repair)



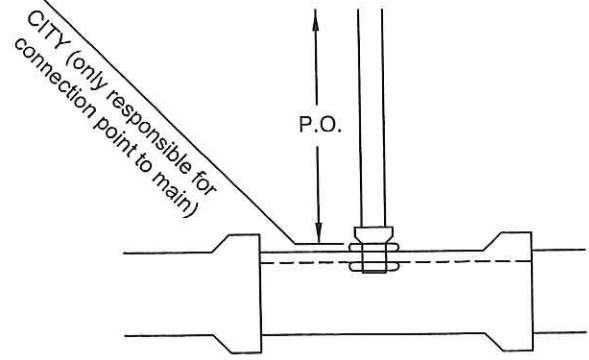
Factory Wye (top view)



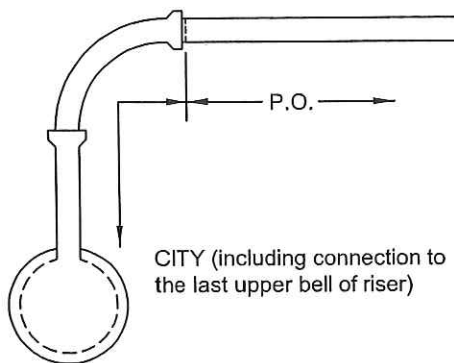
Factory Tee (top view)



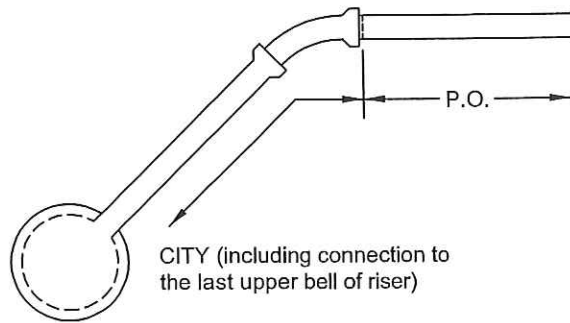
Tapped Wye / Saddle Wye (top view)



Tapped Tee / Saddle Tee (top view)



Vertical Riser (cross-section view)  
(Tapped or Factory Connection)



Angled Riser (cross-section view)  
(Tapped or Factory Connection)