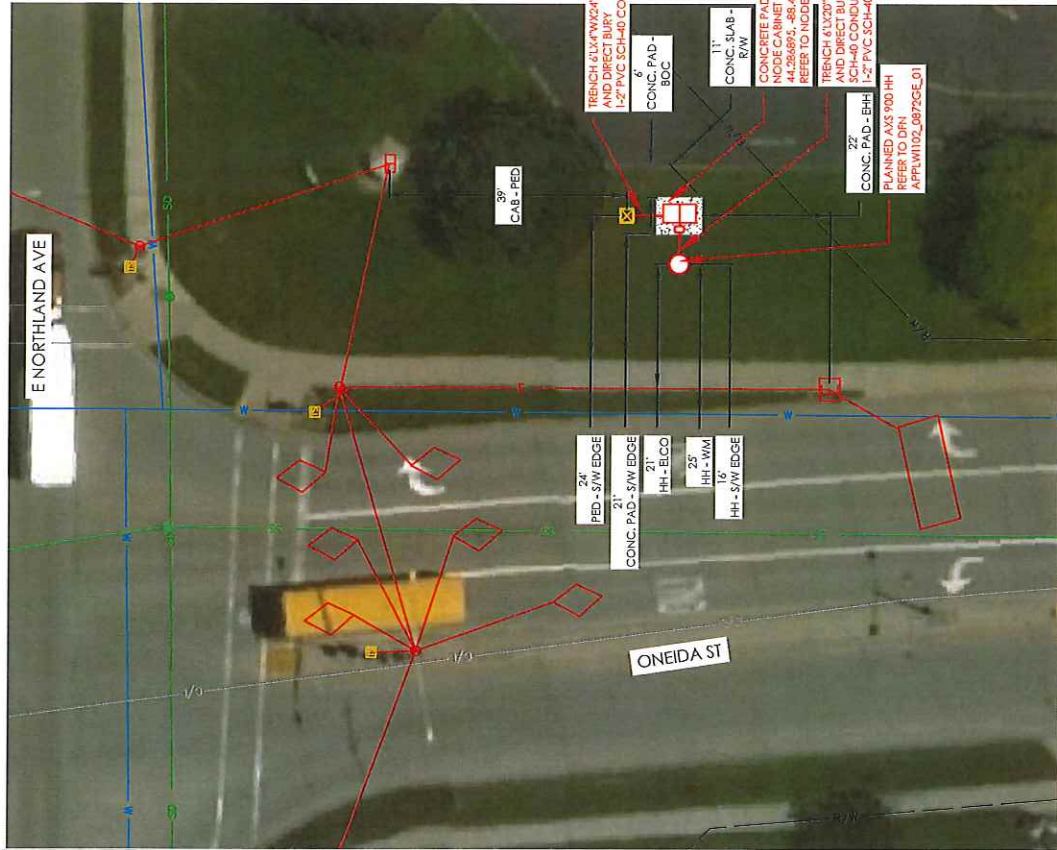
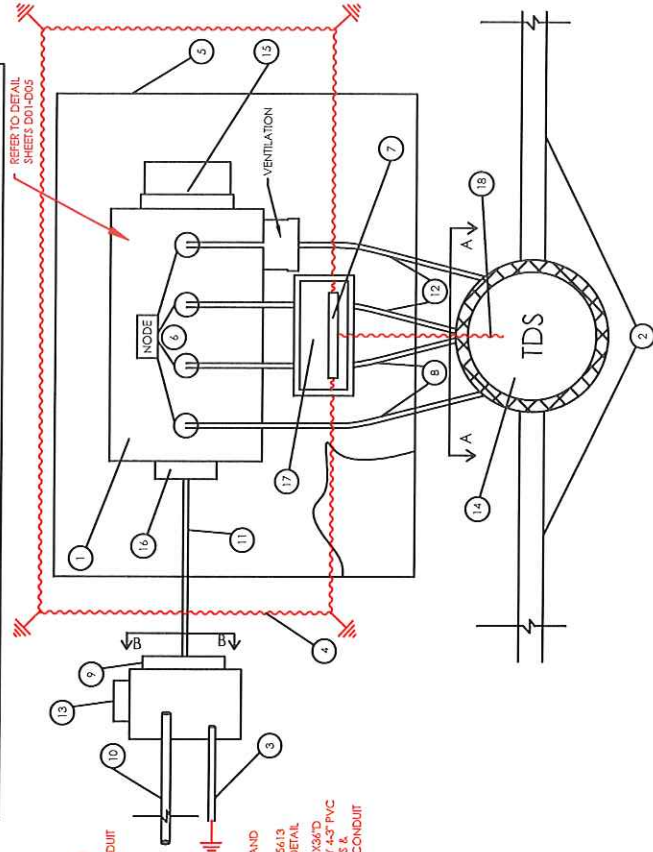


DIGGERS HOTLINE
Diggers Hotline, Inc.
 811 or 1-800-242-8511



- LEGEND:**
- 1) AM/58P-6036-60RU-VIK – NODE CABINET
 - 2) PLANNED TRANSPORT FIBER IN CONDUIT
 - 3) 2" SERVICING ENTRANCE, GROUNDED BY ELECTRICIAN
 - 4) #2 COPPER-TINNED GROUND WIRE 30" DEEP WITH FOUR CLAD GROUNDING RODS
 - 5) CONCRETE PAD - 72" x 88" x 6"
 - 6) 4" ENTRY TO NODE
 - 7) 1(2 x10) ELECTRIC MOTION GROUND BAR
 - 8) 1(4") DUCT WITH FIBER STUB TAIL FROM NODE (W/SWEEPS)
 - 9) BA22 - STUB POLE FOR POWER PED
 - 10) 1(2") DUCT FOR POWER CABLE
 - 11) 1(2") DUCT FOR POWER CABLE TO NODE ENTRY
 - 12) 2(4") VACANT DUCTS (W/SWEEPS)
 - 13) POWER METER FOR POWER PED
 - 14) AXS 900R HH - 39.3"Ø x 39.3"D
 - 15) HEATER ATTACHMENT
 - 16) POWER ATTACHMENT
 - 17) STRONGWELL-QUAZITE HH - 17.5" x 10.5" x 12.75"
 - 18) COATED GROUND WIRE



SITE PLAN
 SCALE: 1" = 20'



TILSON
 ON A MISSION
 (207) 591-4427 F: (207) 772-3427
 info@tilson.com

REVISIONS

DATE	DESCRIPTION	INITIAL
10/21/20	INITIAL SUBMISSION	AT
10/22/20	REV.1	AT

SCALE

SIZE B SHEET: N/A

SIZE D SHEET: N/A

SHEET: C01 OF C02

FILE NAME: TDS_APP1W102_01_NODE