

APPLICATION	
APPLW101_0875FE_0872101	APPLTION, WI
MATERIAL DESCRIPTION	
QTY	ACTUAL
2" PVC SCH-40 CONDUIT	57'
2" PVC SCH-40 CONDUIT	22'



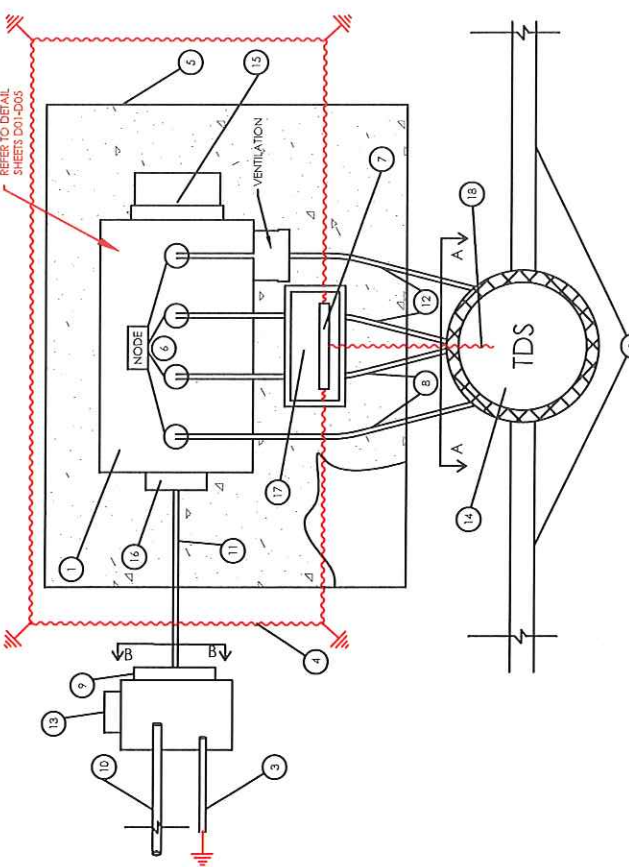
TILSON
ON A MISSION
PROFESSIONAL
T: (207) 901-8427 F: (207) 775-3427
tilsonusa.com

REVISIONS	
DATE	DESCRIPTION

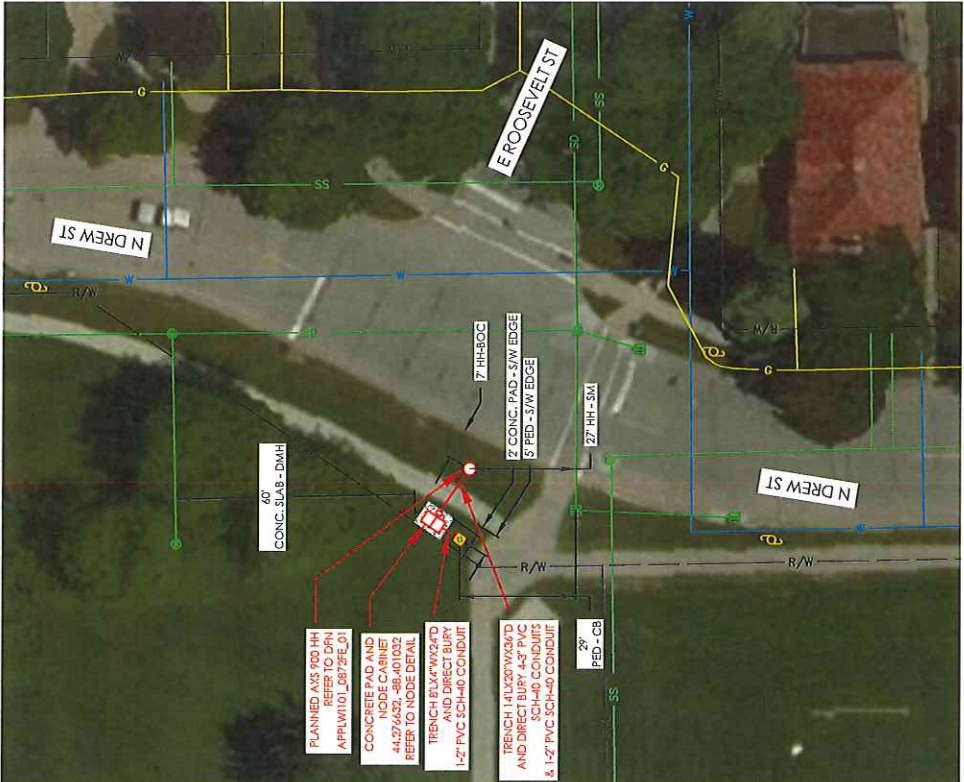
SCALE
SIZE B SHEET: N/A
SIZE D SHEET: N/A
SHEET: C01 OF C02
FILE NAME: TDL_APLW101_01_NODE



- LEGEND:**
- 1) AM58P-6036-60RU-VIK - NODE CABINET
 - 2) PLANNED TRANSPORT FIBER IN CONDUIT
 - 3) 2" SERVICING ENTRANCE, GROUNDED BY ELECTRICIAN
 - 4) #2 COPPER-TINNED GROUND WIRE 30" DEEP WITH FOUR CLAD GROUNDING RODS
 - 5) CONCRETE PAD - 72" x 88" x 6"
 - 6) 3" ENTRY TO NODE
 - 7) 1/2 (X10) ELECTRIC MOTION GROUND BAR
 - 8) 2(3") DUCT WITH FIBER STUB TAIL FROM NODE (W/SWEEPS)
 - 9) BAZZ - STUB POLE FOR POWER PED
 - 10) 1(2") DUCT FOR POWER CABLE
 - 11) 1(2") DUCT FOR POWER CABLE TO NODE ENTRY
 - 12) 2(6") VACANT DUCTS (W/SWEEPS)
 - 13) POWER METER FOR POWER PED
 - 14) AXS 900R HH - 39.3"Ø x 39.3"D
 - 15) HEATER ATTACHMENT
 - 16) POWER ATTACHMENT
 - 17) STRONGWELL-QUAZITE HH - 17.5" x 10.5" x 12.75"
 - 18) COATED GROUND WIRE



NODE DETAIL (AERIAL VIEW)
SCALE: NTS

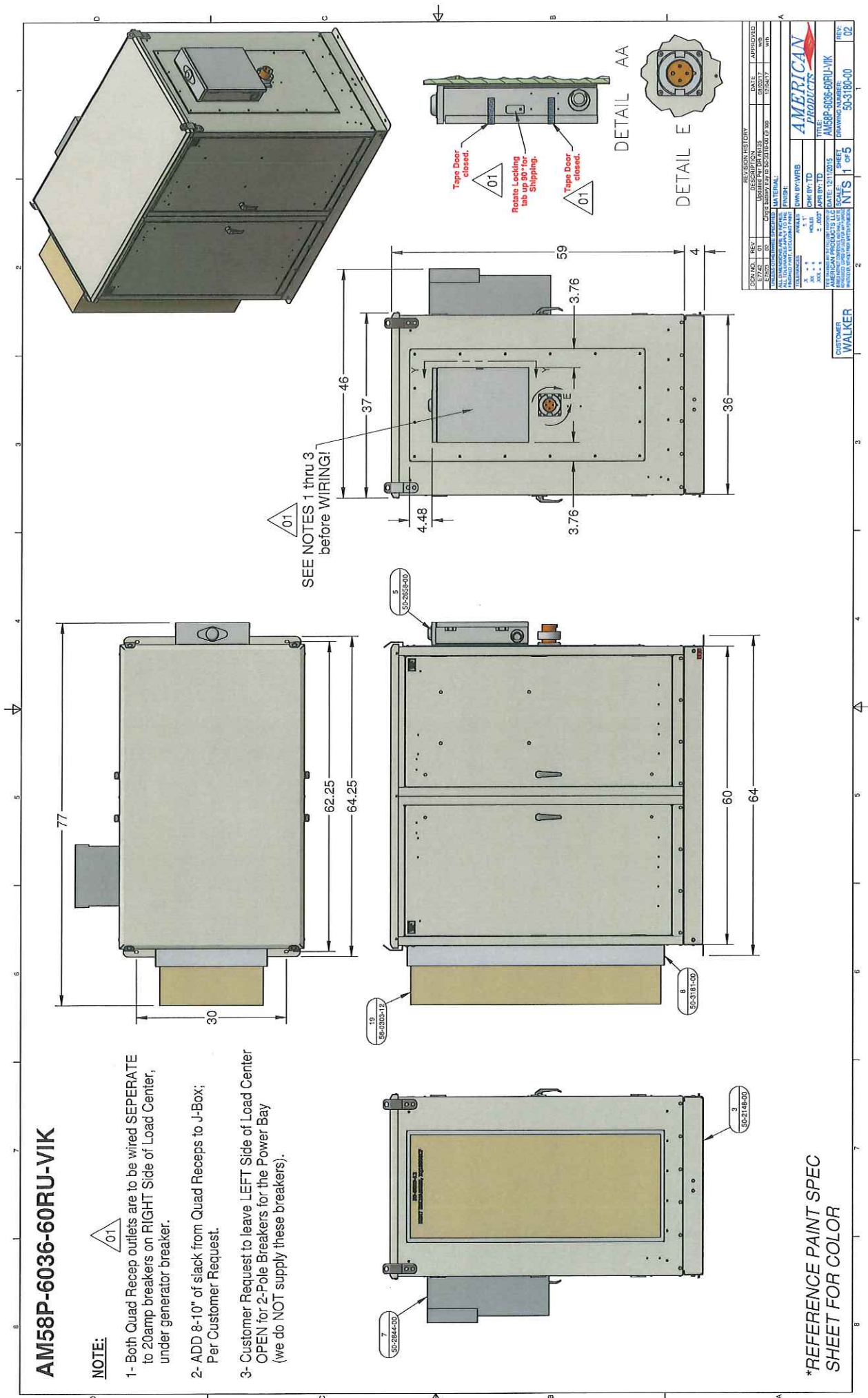


SITE PLAN
SCALE: 1" = 50'

AM58P-6036-60RU-VIK

NOTE:

- 1- Both Quad Recep outlets are to be wired SEPERATE to 20amp breakers on RIGHT Side of Load Center, under generator breaker.
- 2- ADD 8-10" of slack from Quad Recepts to J-Box; Per Customer Request.
- 3- Customer Request to leave LEFT Side of Load Center OPEN for 2-Pole Breakers for the Power Bay (we do NOT supply these breakers).



SEE NOTES 1 thru 3 before WIRING!

*REFERENCE PAINT SPEC SHEET FOR COLOR

REV	NO	DATE	DESCRIPTION	APPROVED
01	1	04/11/2015	ISSUE FOR PRODUCTION	WJK
02	2	05/20/2015	CHANGE TO 60RU	WJK

DESIGNED BY: WJK	CHECKED BY: WJK	DATE: 04/11/2015
DRAWN BY: WJK	APPROVED BY: WJK	PROJECT: 50-3188-00
MATERIAL: AMERICAN PRODUCTS	TITLE: AM58P-6036-60RU-VIK	PROWNING: NTS
SCALE: 1" = 1'-0"	DATE: 04/11/2015	REV: 02

WALKER